

3.00mm(.118") Wire To Wire And Wire To Board Connector

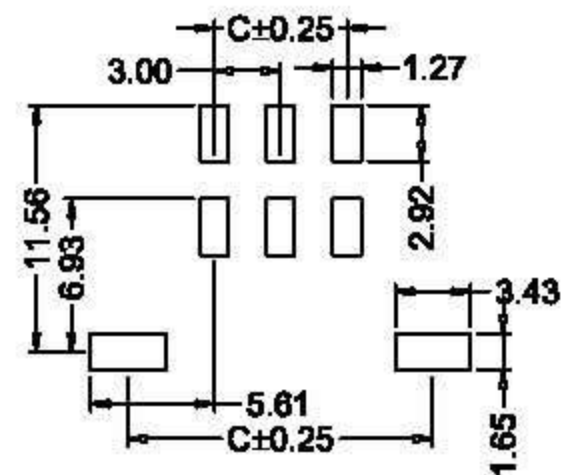
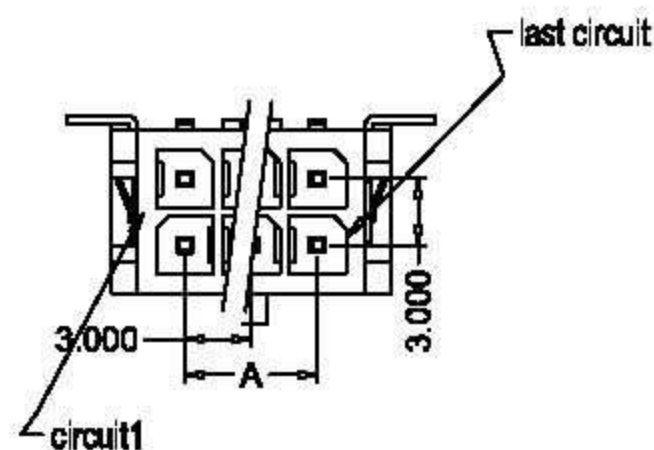
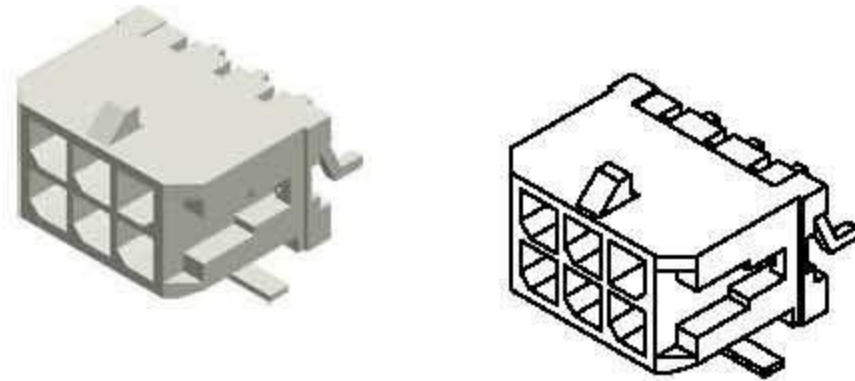


SPECIFICATIONS:

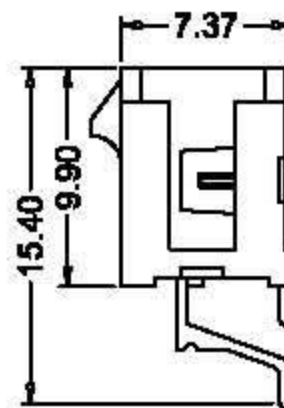
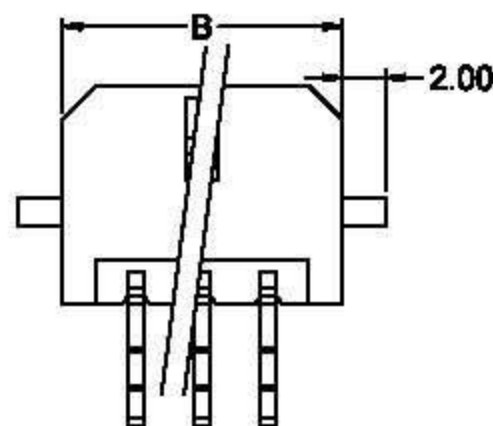
- Current Rating:5A AC,DC
- Voltage Rating:250V AC,DC
- Operating Temperature:-40℃~+130℃
- Contact Resistance:10mΩ max.
- Insulation Resistance:1000MΩ Min.
- Withstanding Voltage:1500V AC/minute
- Material:Housing:Nylon46 UL94V-0
Pin:Brass,Tin Plated
- Mate With:P3025Series
- Housing And Pin Retention Force Requirement: 2.0 kg (Min.)

Shenzhen Hongru Connector Co., Ltd

Email:yukyli@hrb-connector.com
Tel: 86-0755 2709 6669
Fax: 86-0755 2709 2392
Skype: haiyuncheng-vivian
Mobile(whatsapp): 86-186 8112 3590
Website: <http://www.hrb-connector.com>



PCB LAYOUT



Ordering Information And Dimensions

Part NO.		Dimensions			Part NO.		Dimensions		
TYP UL94V-0	Circuits	Dim:A	Dim:B	Dim:C	TYP UL94V-0	Circuits	Dim:A	Dim:B	Dim:C
M3045R-SR-2x1-B-K	2	3.00	6.65	7.90	M3045R-SR-2x7-B-K	14	18.00	24.65	25.90
M3045R-SR-2x2-B-K	4	3.00	9.65	10.90	M3045R-SR-2x8-B-K	16	21.00	27.65	28.90
M3045R-SR-2x3-B-K	6	6.00	12.65	13.90	M3045R-SR-2x9-B-K	18	24.00	30.65	31.90
M3045R-SR-2x4-B-K	8	9.00	15.65	16.90	M3045R-SR-2x10-B-K	20	27.00	33.65	34.90
M3045R-SR-2x5-B-K	10	12.00	18.65	19.90	M3045R-SR-2x11-B-K	22	30.00	36.65	37.90
M3045R-SR-2x6-B-K	12	15.00	21.65	22.90	M3045R-SR-2x12-B-K	24	33.00	39.65	40.90

