

3.96mm(.156") Wire To Wire And Wire To Board Connector

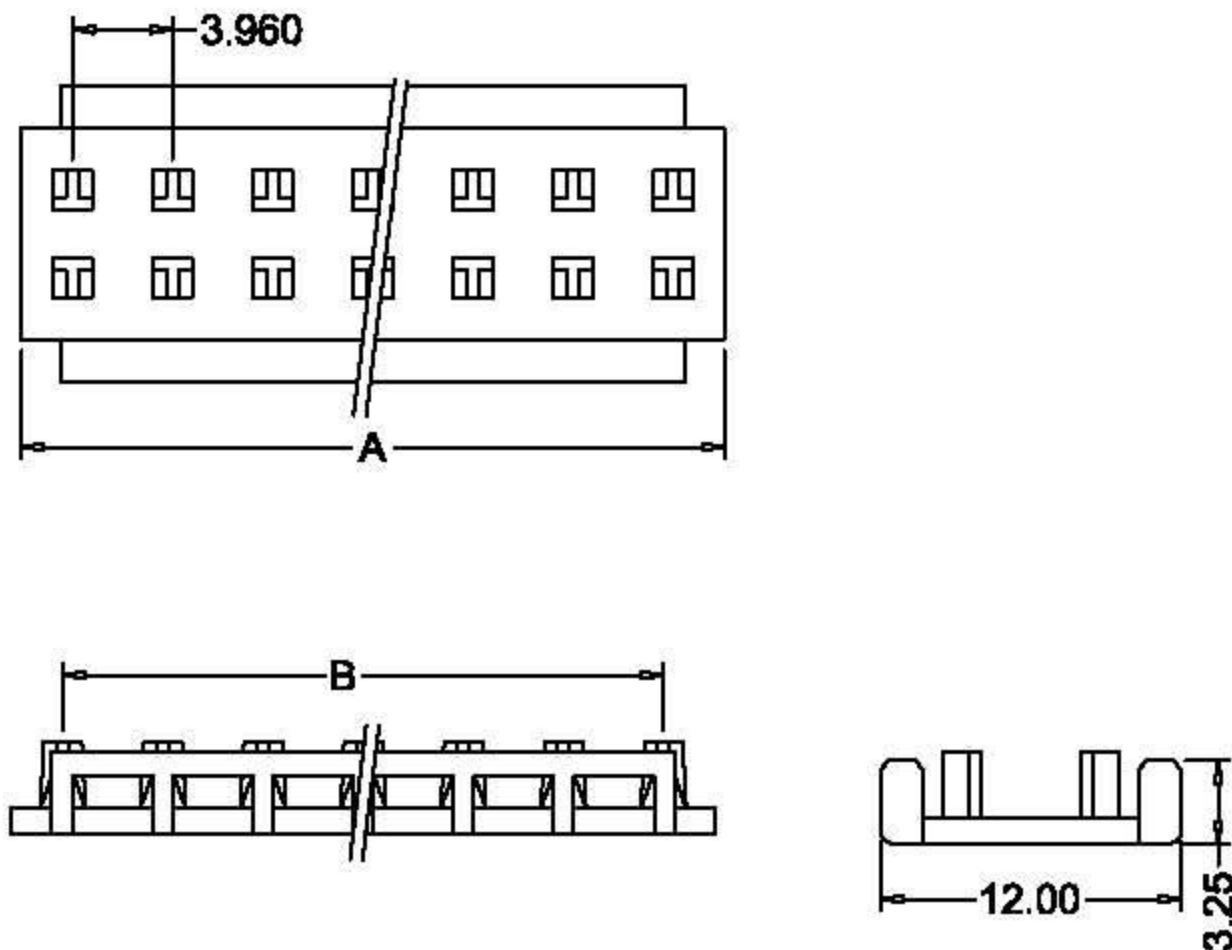
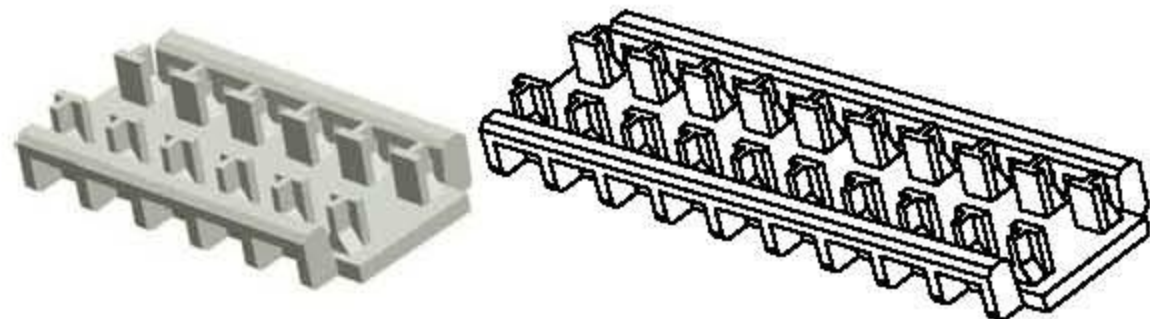


Shenzhen Hongru Connector Co., Ltd

SPECIFICATIONS:

- Current Rating:7AAC,DC
- Voltage Rating:600V AC,DC
- Operating Temperature:-40℃~+105℃
- Contact Resistance:3.0mΩ max.
- Insulation Resistance:5000MΩ Min.
- Withstanding Voltage:2200V AC/minute
- Material:Nylon66 UL94V-0

Email: yukyli@hrb-connector.com
 Tel: 86-0755- 2709 6669
 Fax: 86-0755-2709 2392
 Skype: haiyuncheng-vivian
 Mobile(Whatsapp): 86-186 8112 3590
 Website: <http://www.hrb-connector.com>



Ordering Information And Dimensions

Part NO.		Dimensions		Part NO.		Dimensions		Part NO.		Dimensions	
TYP UL94V-0	Circuits	Dim:A	Dim:B	TYP UL94V-0	Circuits	Dim:A	Dim:B	TYP UL94V-0	Circuits	Dim:A	Dim:B
M7061-2-W	2	8.01	3.96	M7061-10-W	10	39.85	35.64	M7061-18-W	18	71.69	67.32
M7061-3-W	3	11.99	7.92	M7061-11-W	11	43.83	39.60	M7061-19-W	19	75.67	71.28
M7061-4-W	4	15.97	11.88	M7061-12-W	12	47.81	43.56	M7061-20-W	20	79.65	75.24
M7061-5-W	5	19.95	15.84	M7061-13-W	13	51.79	47.52	M7061-21-W	21	83.63	79.20
M7061-6-W	6	23.93	19.80	M7061-14-W	14	55.77	51.48	M7061-22-W	22	87.61	83.16
M7061-7-W	7	27.91	23.76	M7061-15-W	15	59.75	55.44	M7061-23-W	23	91.59	87.12
M7061-8-W	8	31.89	27.72	M7061-16-W	16	63.73	59.40	M7061-24-W	24	95.57	91.08
M7061-9-W	9	35.87	31.68	M7061-17-W	17	67.71	63.36				

