

4.14mm(.163") Wire To Wire Connector

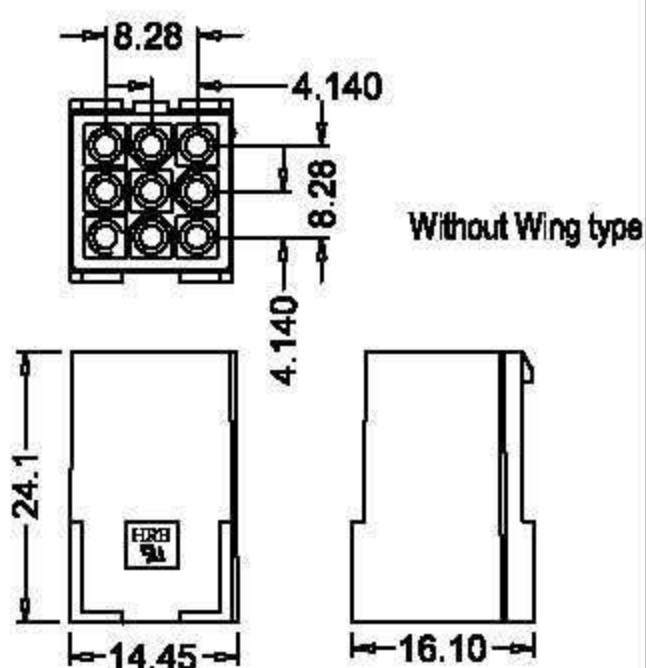
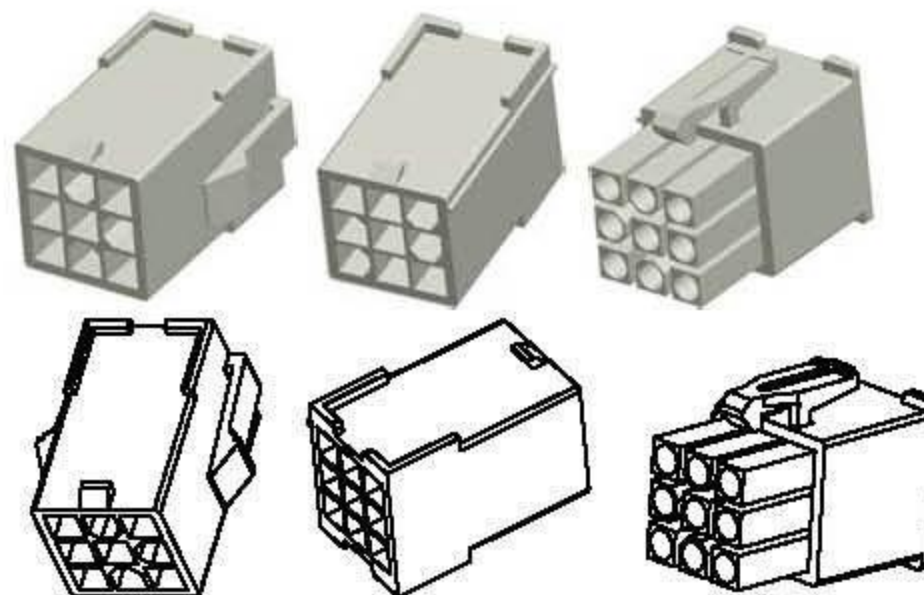


SPECIFICATIONS:

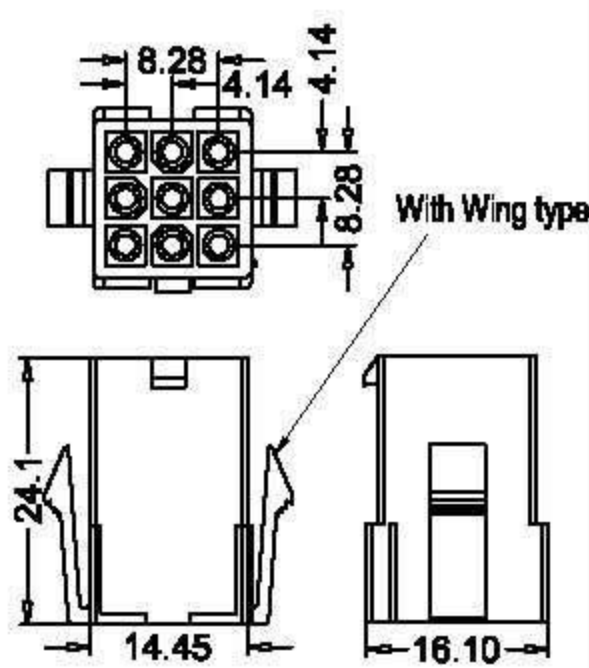
- Current Rating: 7A AC, DC
- Voltage Rating: 600V AC, DC
- Operating Temperature: V0: -40°C ~ +105°C
V2: -25°C ~ +85°C
- Contact Resistance: 10mΩ max.
- Insulation Resistance: 1000MΩ Min.
- Withstanding Voltage: 1500V AC/minute
- Material: Nylon66 UL94V-2/UL94V-0
- File No: E304945
- Terminal In Housing Retention Force Requirement: 4.0kg (Min.)
- Wire Size: AWG#18~#26

Shenzhen Hongru Connector Co., Ltd

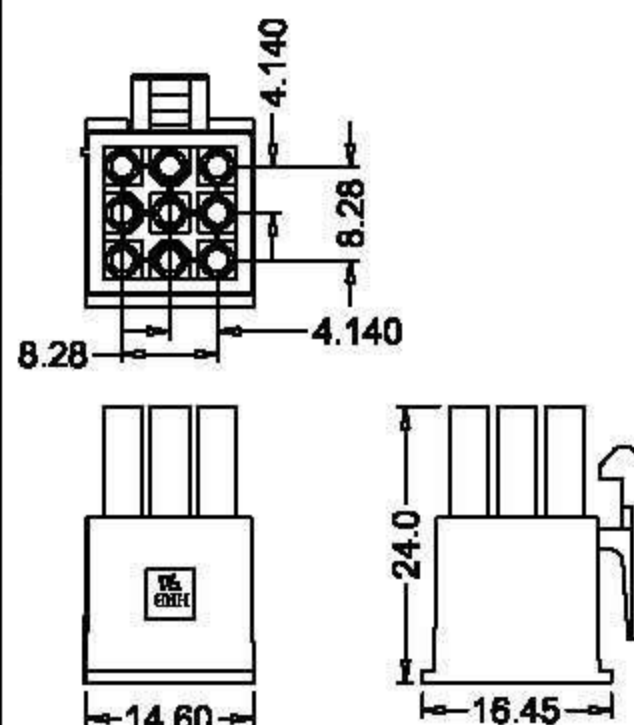
Email: yukyli@hrb-connector.com
Tel: 86-0755 2709 6669
Fax: 86-0755 2709 2392
Skype: haiyuncheng-vivian
Mobile(whatsapp): 86-186 8112 3590



P1020 Series



P1020 Series



P1010 Series

Ordering Information

Part NO.		
TYP UL94V-2	TYP UL94V-0	Circuits
P1020-3x3-N-H	P1020-3x3-W-H	9
P1020-3x3-N-H-K	P1020-3x3-W-H-K	9

Part NO.		
TYP UL94V-2	TYP UL94V-0	Circuits
P1010-3x3-N-H	P1010-3x3-W-H	9

