

6.35mm(.250") Wire To Wire And Wire To Board Connector



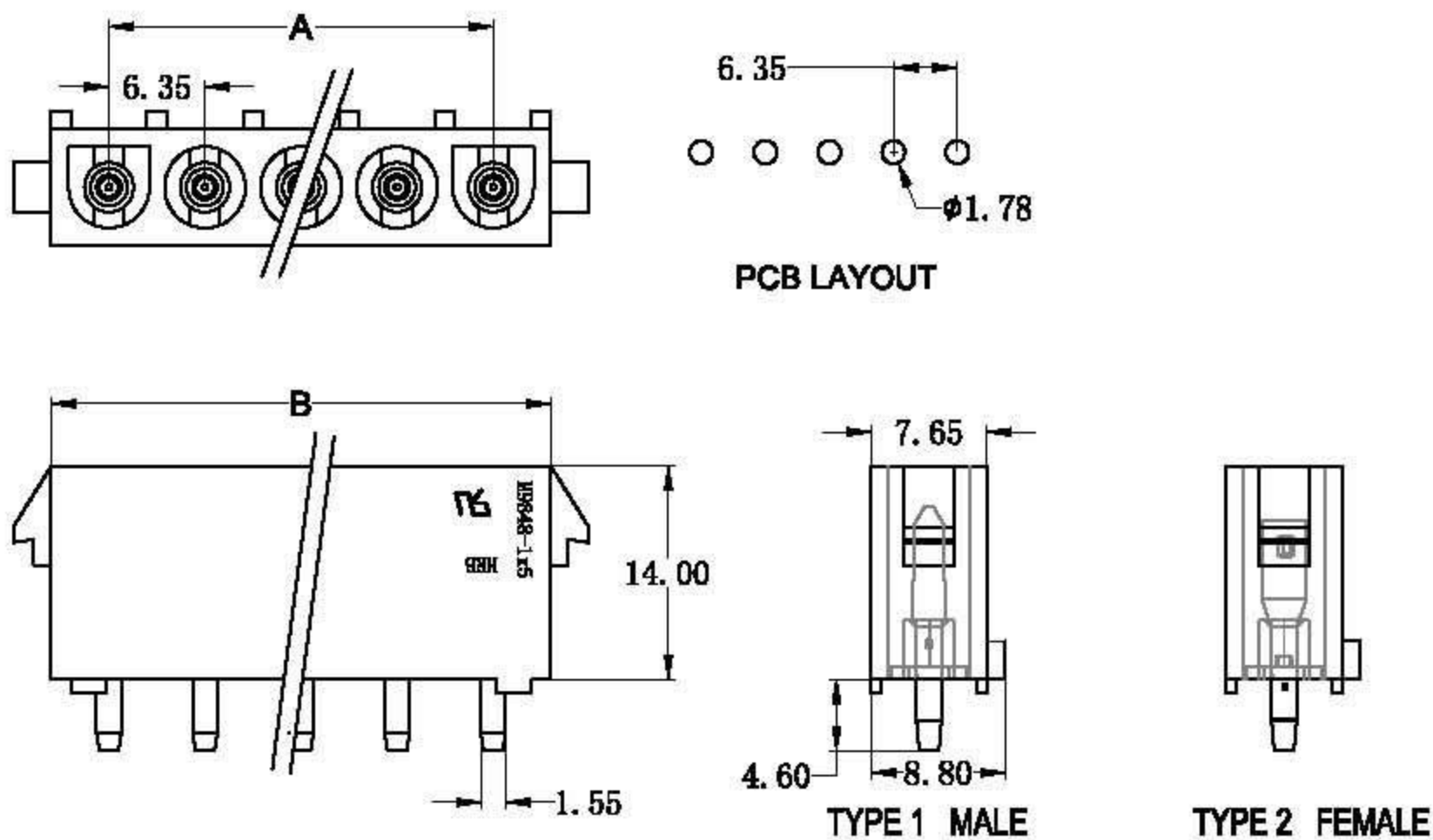
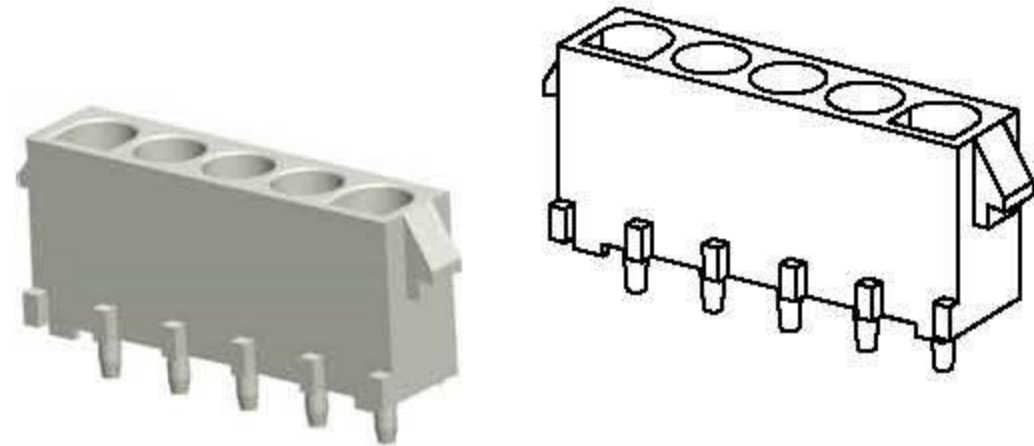
Connector & Terminal

Shenzhen Hongru Connector Co., Ltd

Email: yukyli@hrb-connector.com
 Tel: 86-0755 2709 6669
 Fax: 86-0755 2709 2392
 Skype: haiyuncheng-vivian
 Mobile(whatsapp): 86-186 8112 3590
 Website: http://www.hrb-connector.com

SPECIFICATIONS:

- Current Rating: 15AAC, DC
- Voltage Rating: 600V AC, DC
- Operating Temperature: V2: -25°C ~ +85°C
 V0: -40°C ~ +135°C
- Contact Resistance: 10mΩ max.
- Insulation Resistance: 1000MΩ Min.
- Withstanding Voltage: 5000V AC/minute
- Material: Nylon66 UL94V-2 /UL94V-0
- File No: E304945
- Terminal In Housing Retention Force Requirement: 2.0kg (Min.)
- GWT: 750°C IEC-60335-1



Ordering Information And Dimensions

Part NO.		Part NO.		Circuits	Dimensions	
TYP UL94V-2(Female)	TYP UL94V-0(Female)	TYP UL94V-2(Male)	TYP UL94V-0(Male)		Dim:A	Dim:B
M9848-1x2-N-H(F)	M9848-1x2-W-H(F)	M9848-1x2-N-H(M)	M9848-1x2-W-H(M)	2	6.35	14.00
M9848-1x3-N-H(F)	M9848-1x3-W-H(F)	M9848-1x3-N-H(M)	M9848-1x3-W-H(M)	3	12.70	20.35
M9848-1x4-N-H(F)	M9848-1x4-W-H(F)	M9848-1x4-N-H(M)	M9848-1x4-W-H(M)	4	19.05	26.70
M9848-1x5-N-H(F)	M9848-1x5-W-H(F)	M9848-1x5-N-H(M)	M9848-1x5-W-H(M)	5	25.20	33.05
M9848-1x6-N-H(F)	M9848-1x6-W-H(F)	M9848-1x6-N-H(M)	M9848-1x6-W-H(M)	6	31.75	39.40
M9848-1x7-N-H(F)	M9848-1x7-W-H(F)	M9848-1x7-N-H(M)	M9848-1x7-W-H(M)	7	38.10	45.75
M9848-1x8-N-H(F)	M9848-1x8-W-H(F)	M9848-1x8-N-H(M)	M9848-1x8-W-H(M)	8	44.45	52.10

